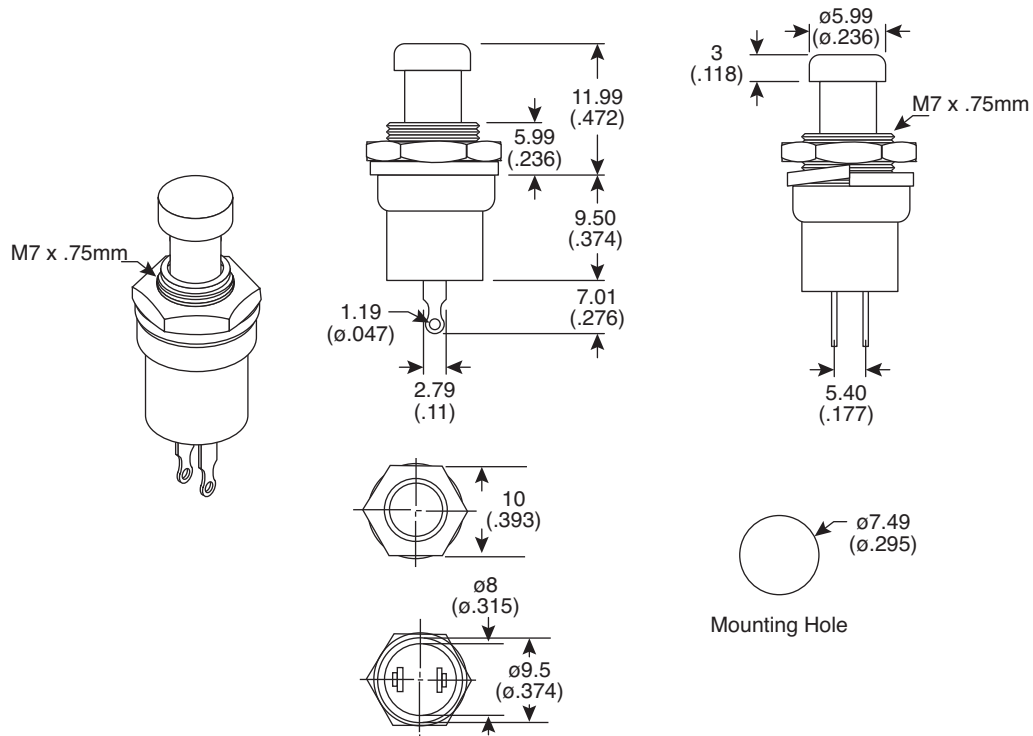


Dimensions: mm (In.)



Electrical Specifications:

- Rating: .5A/125VAC/12VDC
- Insulation Resistance: 100MΩ min. @ 500VDC
- Dielectric Strength: 250VAC for 1 minute
- Contact Resistance: 20mΩ max.

Mechanical Specifications:

- Mechanical Life: 5000 min.
- Operating Temperature: -10°C to +60°C
- Circuit: 2P SPST Off-(On)

Materials:

- Nut: Nickel plated steel
- Washer: Uni-chromium plated steel
- Terminals: Silver plated brass
- Spring: Piano wire
- Stopper, knob: ABS
- Contacts: Tin plated brass
- Body: Plastic
- Bushing: Nickel plated brass

Note:

- RoHS Compliant by Exemption

Mouser Stock No.	Button Color
104-0010-EVX	White
104-0012-EVX	Red
104-0013-EVX	Black
104-0011-EVX	Green

Pushbutton Switches

104-0010-EVX, 104-0011-EVX, 104-0012-EVX, 104-0013-EVX

